



S3570 COMPACT GROUP LOCK BOX

Compact size for group lockout convenience

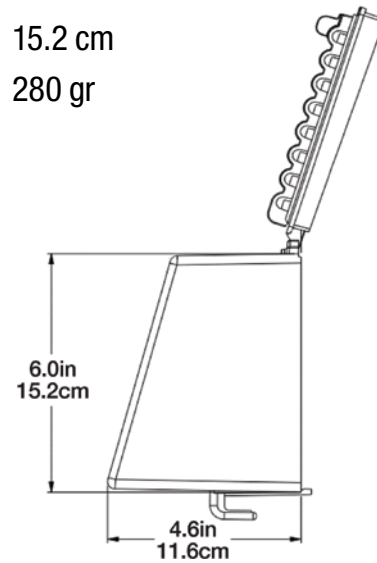
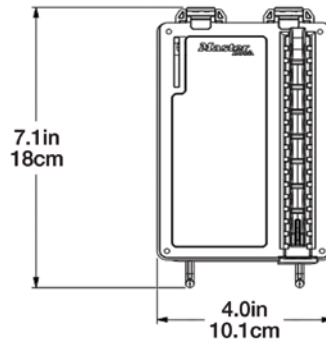
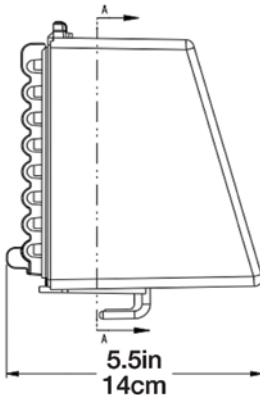
This lightweight group lock box is an efficient and multi-purpose solution for smaller teams. The S3570 can be wall mounted and is also highly portable. Its compact design holds up to 6 padlocks internally for protected storage, and can be locked out with up to 8 padlocks or hasps externally.

- Top-hinged transparent polycarbonate window for easy key viewing
- 6 hooks inside the box for hanging keys to keep them visible
- Stores up to 6 safety padlocks inside
- Sliding lock rail can be locked out with up to 8 padlocks or hasps
- 2 outside hooks to hold folded permit paperwork, hang tags or extra items
- Lightweight, compact red plastic portable lock box for smaller teams
- Optimal operating temperatures -40°C to 65°C



Specifications

Overall Height	18 cm	Window Height	15.2 cm
Overall Width	10.1 cm	Weight	280 gr
Largest Depth	14 cm		



Visit <https://www.masterlock.eu/> for all Safety Lockout products



S600
Portable Group Lock
Box with Key Window



S3650
Group Lock Box with
Wall Mounting Bracket

**Master
Lock**

www.masterlock.eu

Master Lock UK Sales Ltd,
Unit 26, M11 Business Link, Parsonage Lane,
Stansted, CM24 8GF,
United Kingdom

© 2024 Master Lock Company | All Rights Reserved.

See How
it Works



SCAN ME