

Technical Information

Tested to withstand force of (Joule)	5.600 J
Vehicle weight equivalent (kg)	3.000 kg
Vehicle equivalent speed (km/h)	7,0 km/h
Equivalent angle of impact	90°
Deflection zone	250 mm

Material Properties

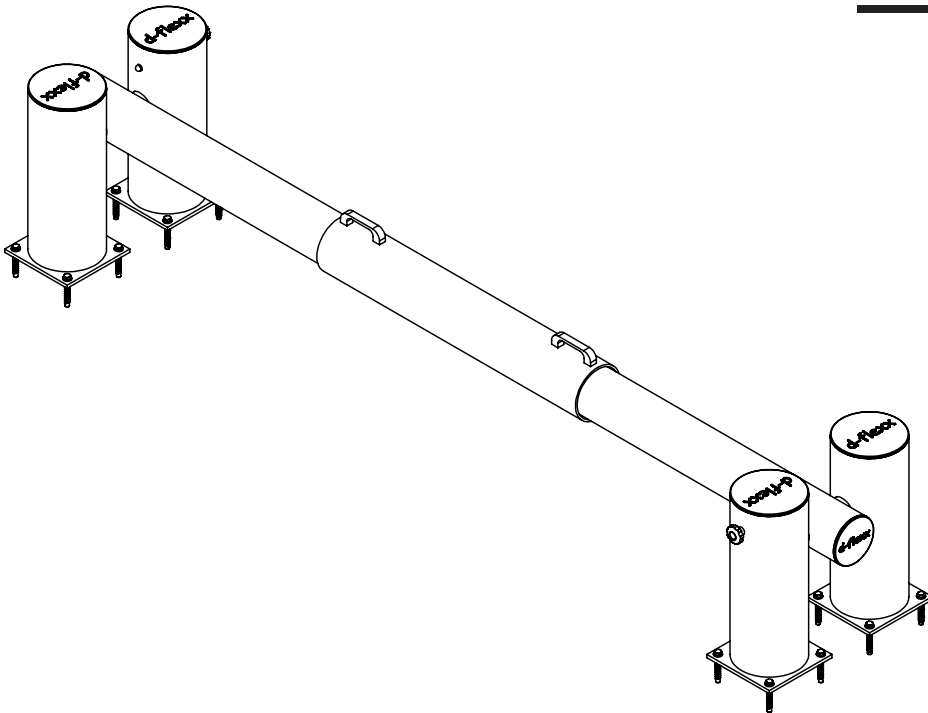
Chemical Resistance	high- ISO/TR 10358
Temperature Range	-10° up to + 50°

Environment

Recyclability	100%
---------------	------

Other

Standard Warranty	5 years
-------------------	---------



Art. No.	Description	Weight
DFNO-W2300	Dock Gate inside length 2300 mm	56,2 kg
DFNO-W2600	Dock Gate inside length 2600 mm	58,3 kg
DFNO-WI	Dock Gate individual inside length 2300 - 3300 mm	63,2 kg

Article description Dock Gate individual length inside 2300- 3300 mm
Item number DFNO-WI
EAN 4250912395961
Customs tariff number 39269097

Height 516 mm
Width 585 mm
Length inside 2300- 3300 mm
Total length 2750- 3750 mm
Diameter
Deflection zone 250 mm

Net weight 63,2 kg
Material Polyethylene
Color Yellow (like RAL 2002) / black
Indoor use Yes
Outdoor use Yes
Boreholes 16
Fixing The fixing material is included. The Fischer ULTRACUT FBS II is the perfect powerful concrete screw for top installation comfort.
Fixing dimensions M12X85

Material Properties

Chemical Resistance high- ISO/TR 10358
 Temperature Range -10° up to + 50°

Environment

Recyclability 100%

Other

Standard Warranty 5 years

